



DESCRIPTIONS

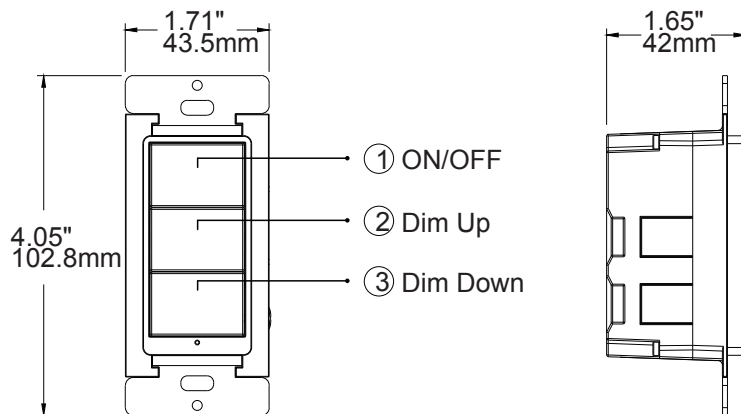
The BMWS-L-D-1-3BT-BLE-KL is a line voltage powered Bluetooth wireless switch ideal for applications where battery use is not practical. Network switch enabled Blue-tooth 5.0 technology.

FEATURES

- Wireless network switch with Bluetooth 5.0 enabled technology
- 120-277V operating voltage, ideal for retrofit solutions (neutral wire is required).
- Easy to Install.
- Links to an individual light or a group of lights via APP.
- Blue LED indicates the device is linked with the APP.

PHYSICAL DIMENSIONS

Unit:inch/mm



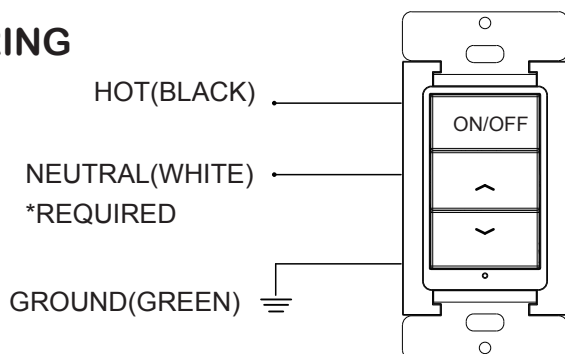
TECHNICAL DATA

Input Voltage: AC120-277V
Frequency: 50/60Hz
Input Current: 10mA Max

Bluetooth Transmit: 100ft Max
Radio Frequency: 2.4GHz ± 75MHz
Bluetooth Version: 5.0
Housing Material: UL 94-5VA
Indoor Use Only
Operating Temperature: 0°C to 40°C,
32°F to 104°F
Storage Temperature: -30°C to 85°C,
-22°F to 185°F
IP Rating: IP20

Comply to UL60730, UL1376, RoHS

WIRING



* Switched Hot to Load is not required. Switching is done at the power pack or in-fixture load controller.

ORDERING INFORMATION

Ref#: 20240717

Model No.	Description
BMWS-L-D-1-3BT-BLE-KL-WH	Bluetooth Wireless Line Voltage Powered Wall Switch with 3 Buttons, white
<p>Revise -WH suffix for different color options:</p> <ul style="list-style-type: none"> -WH - White (standard) -IV - Ivory -LA - Light Almond -GY - Gray -BK - Black -RD - Red <p>* White color is standard. Optional and Custom colors may require an additional charge.</p>	

WARRANTY

Five year limited warranty.

Specifications subject to change without notice.